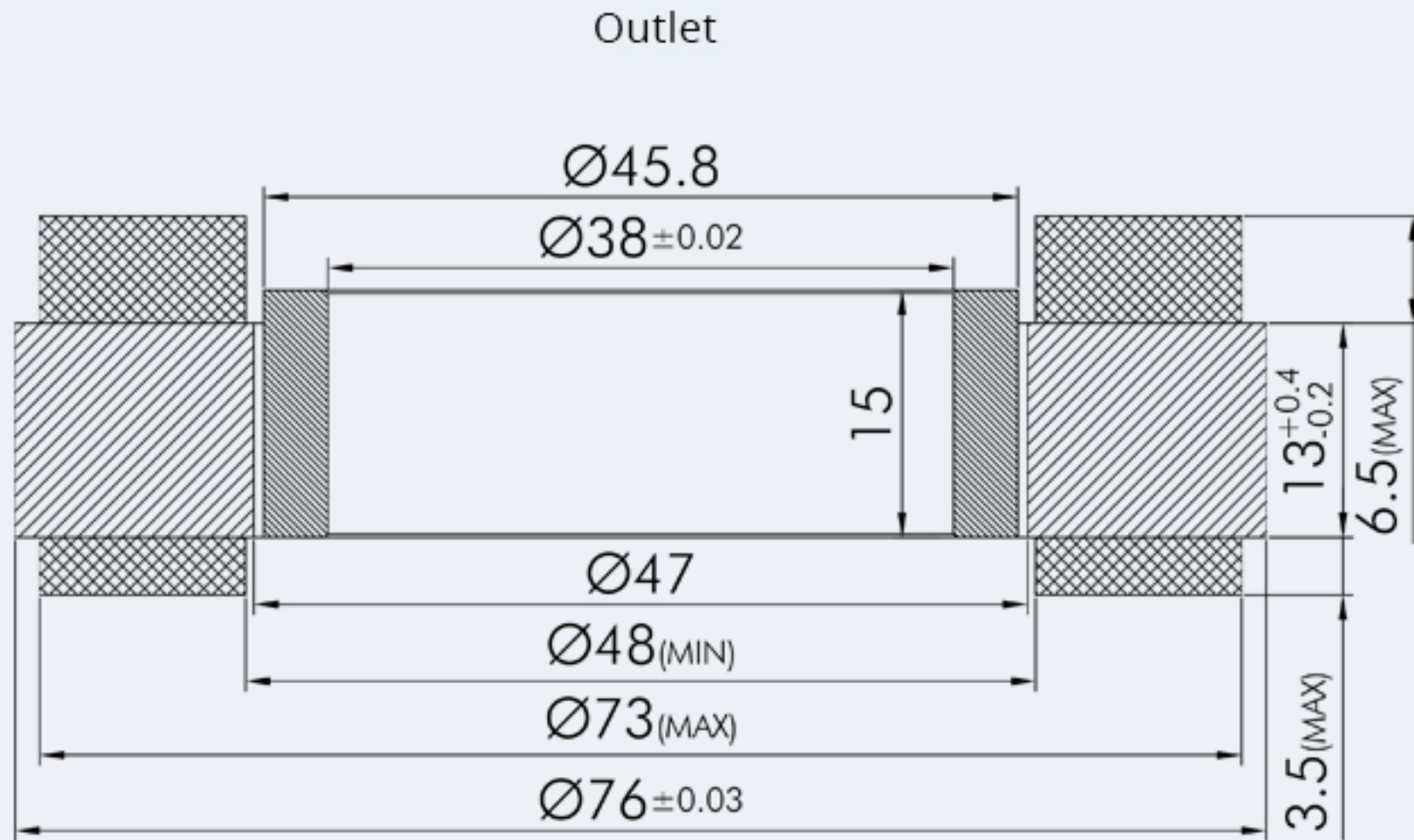


Product Drawing-R170



maximum diameter of shaft shoulder : $\text{Ø}41$